

## UTILITY METERING TRANSFORMER CABINET

### Description

Lake Shore Electric Metering Transformer Cabinets provide a safe, convenient and standardized method to install and maintain utility metering current transformers

Typically, services over 400 amperes are required to have a conforming enclosure to house Utility provided metering current transformers. The Lake Shore Electric Utility Metering Transformer Cabinet provides the solution.

### Features

All Lake Shore Electric Corporation Utility Metering Transformer Cabinets feature the following:

- Standardized bus bar arrangement with a removable link in the center.
- The mountings can accommodate ring (donut) or bar type current transformers.
- Standard enclosures are designed for top or bottom entry or exit.
- Bus bar links have standard width of 4".
- Enclosures available NEMA 1, 3R and 3R Stainless Steel.
- Padlocking provisions included.
- Services from 800 - 4000 amperes can be accommodated.
- 100% rated solid neutral with connection means provided.
- Ground lug provided.
- Conforms to First Energy's Form 115, Information and Guidance for Customer Electrical Service.
- All cabinets have split, hinged doors with removable center post.
- All cabinets feature 100% rated Copper Bus.

First Energy  
Form 115 Compliant  
U.L. Listed  
3 Pole with 100%  
Neutral  
800 - 4000 amperes  
Indoor & Outdoor  
Enclosures  
DP & L Approved



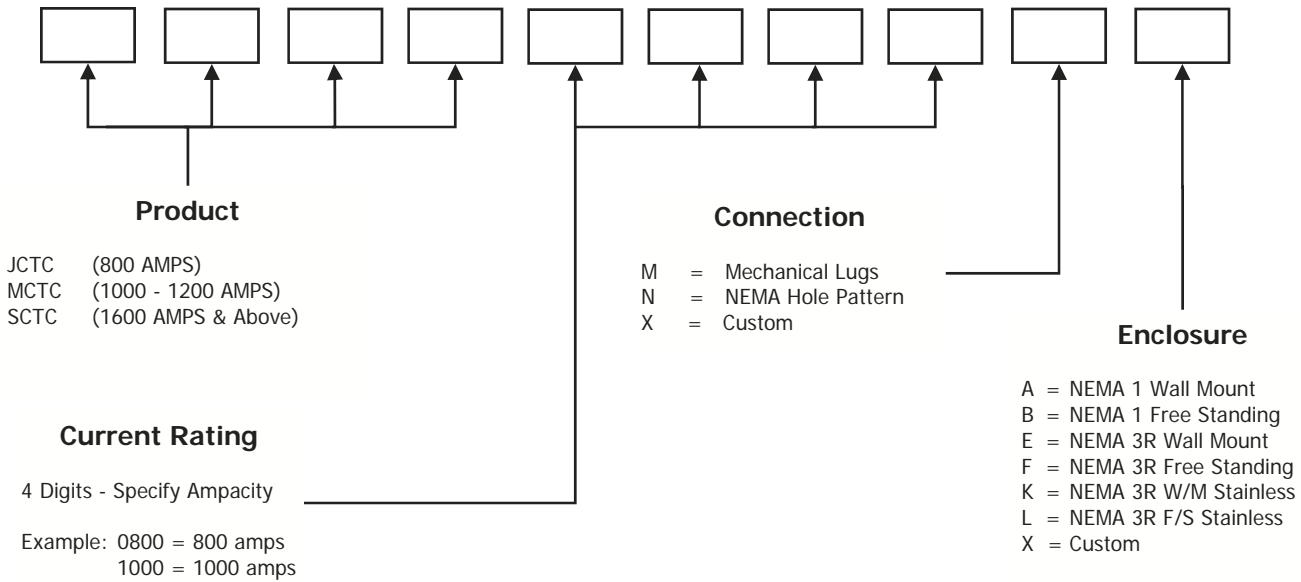
LAKE SHORE ELECTRIC CORPORATION

205 WILLIS STREET • BEDFORD, OHIO 44146

(440) 232-0200 or (800) 225-0141 FAX (440) 232-5644

[www.lake-shore-electric.com](http://www.lake-shore-electric.com)

ORDERING INFORMATION



**General Notes:**

1. Lead time is 2-4 weeks on all products 4000 amps and below (except Stainless Steel enclosures, consult factory).
2. Mechanical Lugs or NEMA hole pattern available on all Utility Metering Transformer Cabinets.
3. JCTC and MCTC CT Cabinets are 50 KAIC at 480 volts.
4. SCTC CT Cabinets are 100 KAIC at 480 volts.

**Enclosure Notes:**

1. Approximate dimensions are listed below.
2. 800 - 1200 Amp enclosures will be Wall Mount.
3. 1600 - 4000 Amp enclosures will be Free Standing.
4. Enclosures are designed for bottom/top entry/exit only. Consult factory for other options and availability.

Product	Amperes	Dimensions (h x w x d)	Connection (Lugs)
JCTC	800 A	60" x 42" x 12"	#2 - 600 MCM (2)
MCTC	1000 - 1200 A	66" x 48" x 18"	4/0 - 500 MCM (4)
SCTC	1600 - 2000 A	84" x 54" x 24"	300 - 800 MCM (8)
SCTC	2500 - 4000 A	84" x 54" x 24"	300 - 800 MCM (12)

